

# UPS-20ZL

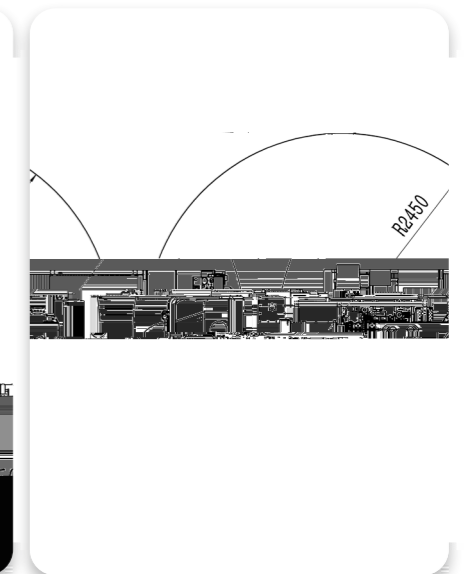
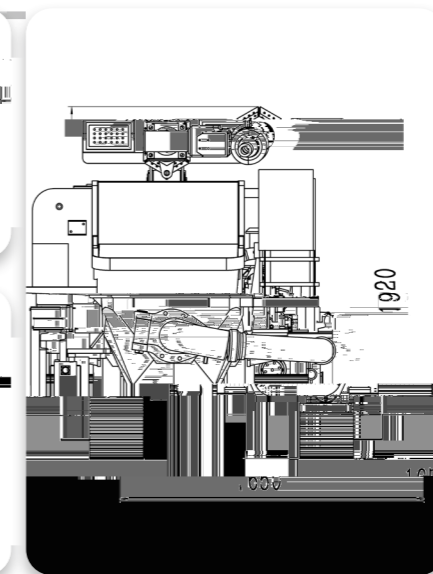
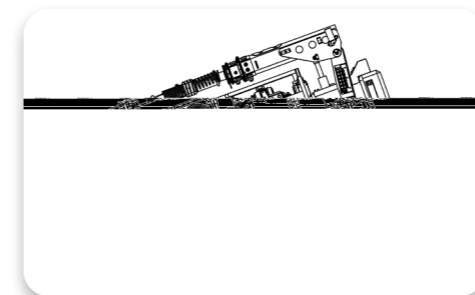
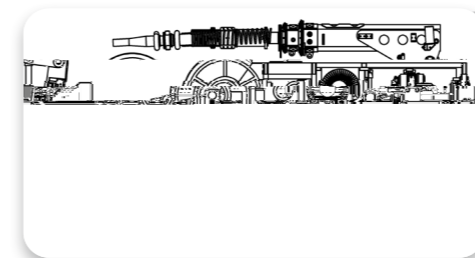
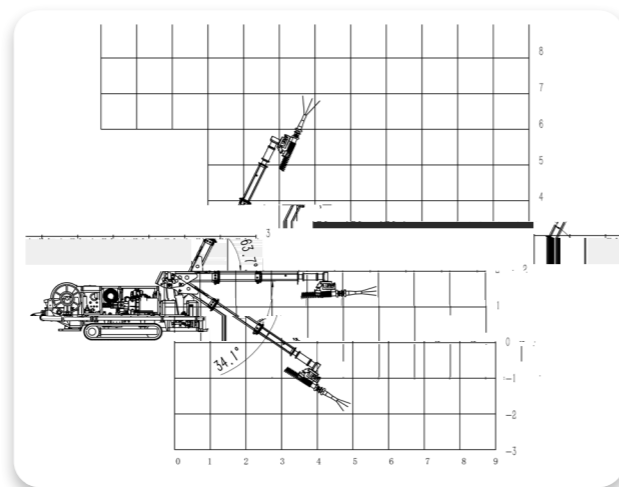


• UPS-20ZL



- 
- 
- 
- 
- 
- 

380V/660V/1140V



400-878-8080